

KARMA

SOFT ICE CREAM DISPENSERS

Project

Date

Models

Karma Gravity
Karma Pump

Item #

Quantity



Model Karma Gravity

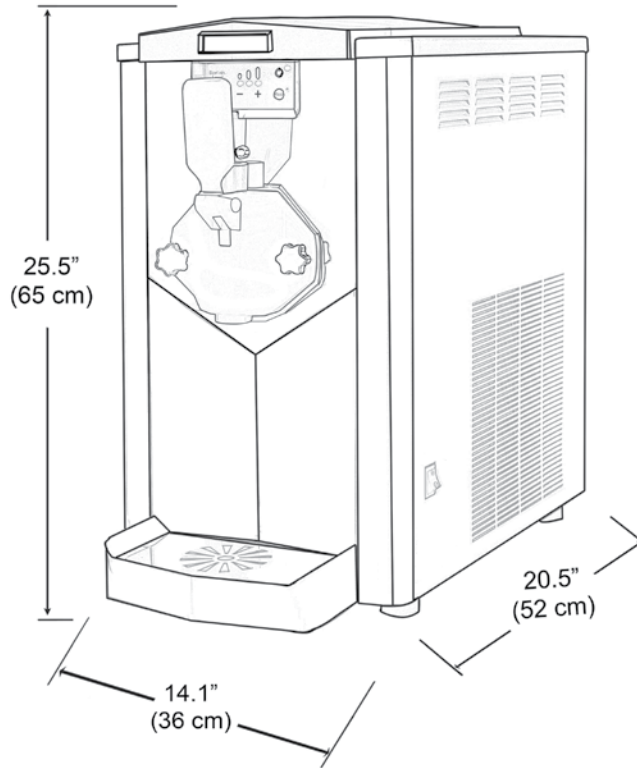
Features

- Delicious soft serve ice cream and frozen yogurt in a compact, counter-top machine.
- One of the smallest and quietest machines on the market in its product range.
- Cooled hopper, reduces dispense time, as the product is cold before reaching the freezing cylinder.
- Auto defrost/night mode: keeps product fresh. Product is ready in a few minutes after start-up.
- LED lighting system.
- Minimum level warning light.
- Customizable dispensing lever.
- 3 consistency levels.
- Excellent capacity: 1.85 gallon (7.0 L) in cooled upper tank, and 0.61 gallon (2.3 L) in freezing cylinder, for a total capacity of 2.5 gallon (9.3 L).
- Production capacity of 19.8 lbs. (9 kg) per hour - about 150 cones.
- Certified NSF-6 safe for milk.

KARMA

SOFT ICE CREAM DISPENSERS

Model Karma Gravity



NSF-6



MODEL	DESCRIPTION	PRODUCTION CAPACITY	ELECTRICAL	REFRIGERATION	PRODUCT DIMENSIONS (H X W X D)	PRODUCT WEIGHT	SHIP WEIGHT
Karma Gravity *† (1208-002)	1.85 gallon (7.0 L) capacity in cooled upper tank, 0.61 gallon (2.3 L) capacity in freezing cylinder, 2.5 gallon (9.3 L) total capacity	20 lbs. (9 kg) per hour - about 150 cones	115V / 60 Hz 1.4 kW / 14.8 A 1Ph	Refrigerant: R449A Compressor: ¾ hp air cooled	25.5" x 14.1" x 20.5" (65 cm x 36 cm x 52 cm)	154 lbs. (70 kg)	176 lbs. (80 kg)
Karma Pump *† (1208-003)	1.85 gallon (7.0 L) capacity in cooled upper tank, 0.61 gallon (2.3 L) capacity in freezing cylinder, 2.5 gallon (9.3 L) total capacity	20 lbs. (9 kg) per hour - about 150 cones	115V / 60 Hz 1.4 kW / 14.8 A 1Ph	Refrigerant: R449A Compressor: ¾ hp air cooled	25.9" x 14.1" x 20.5" (66 cm x 36 cm x 52 cm)	165 lbs. (75 kg)	187 lbs. (85 kg)

Note: Operate at room temperature between 75 - 90° F (24 and 32° C)

***Note:** Clearance of 10" (25 cm) required on left side to allow for collection drawer removal, all other sides require clearance of 8" (20 cm).

****Note:** Clearance of 8" (20 cm) required on all sides.

†**Electrical:** NEMA 5-15P line cord included.

Grindmaster™ 4003 Collins Lane, Louisville, KY 40245 USA

Tel: +1.502.425.4776 / 800.695.4500 (USA & Canada only) • Fax: +1.502.425.4664 • www.grindmaster.com

© 2020 Grindmaster™ PRINTED IN USA | 0419 Form # CC-105-02